

TITLE: SPEED CONTROL FOR UTILITY  
VEHICLE OPERABLE FROM  
REARWARD-FACING SEAT  
INVENTOR: David Sprinkle, t. al.  
DOCKET #: 15183 - mch, mah, ak

1/13

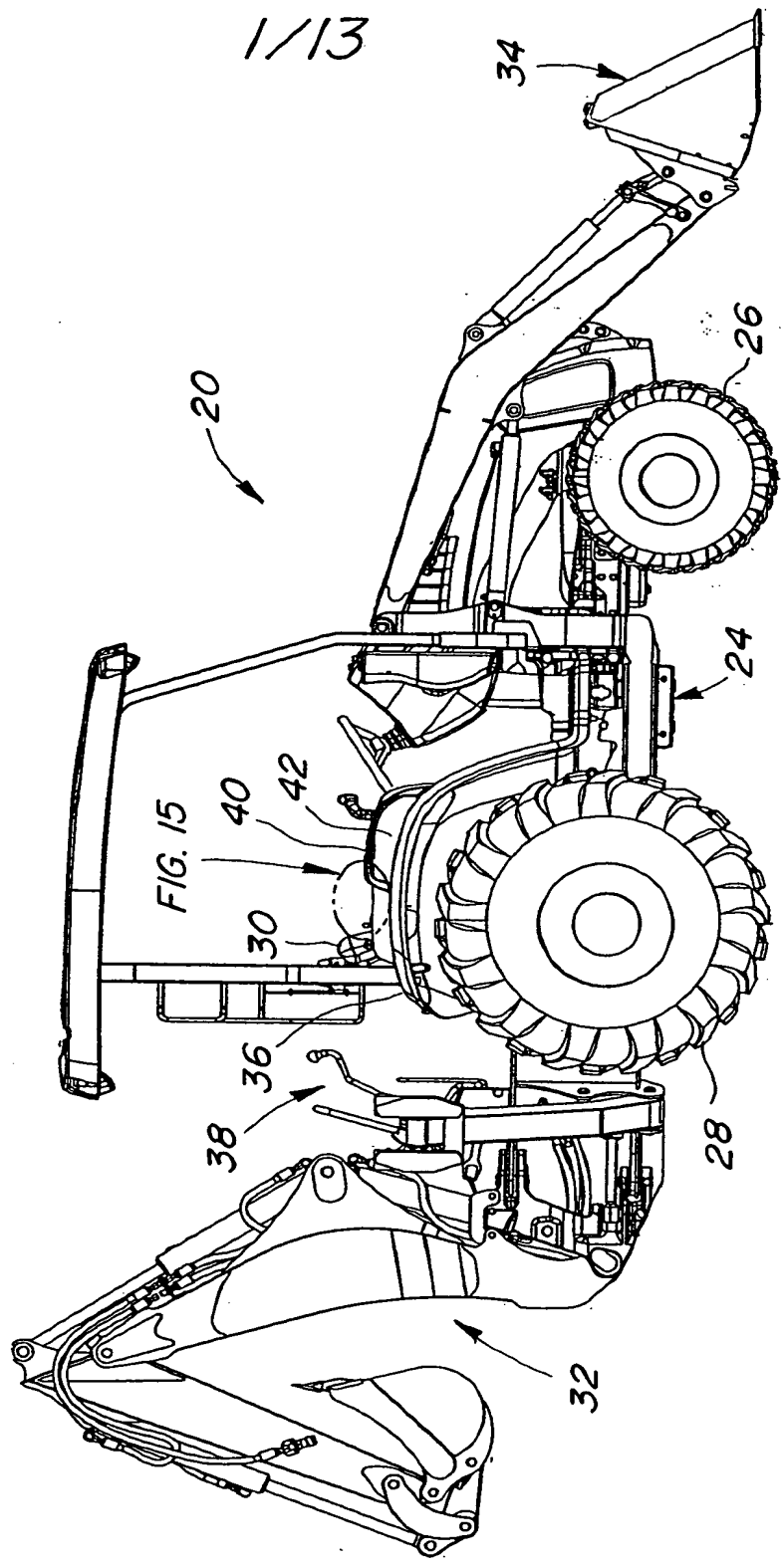
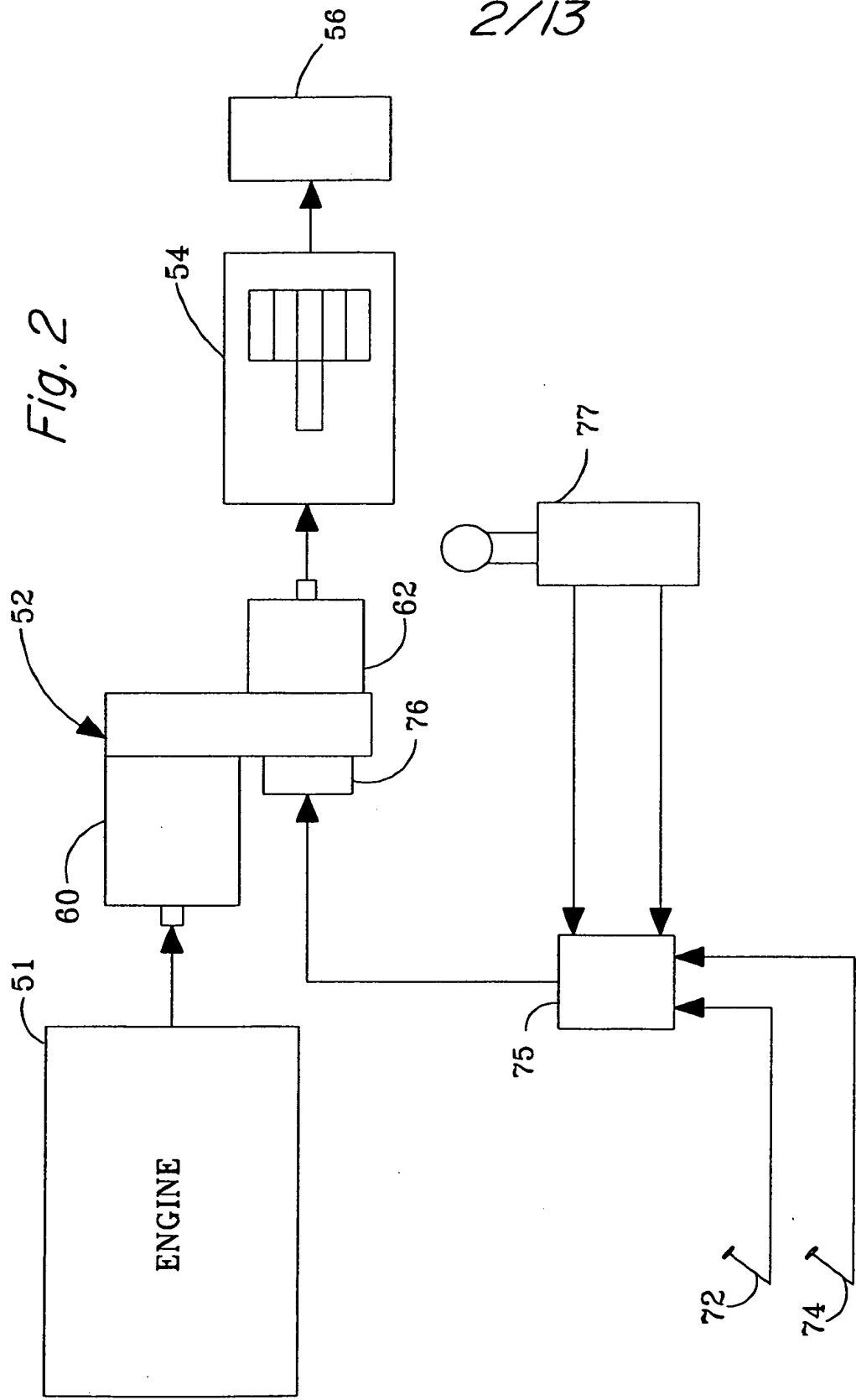


Fig. 1

Fig. 2



3/13

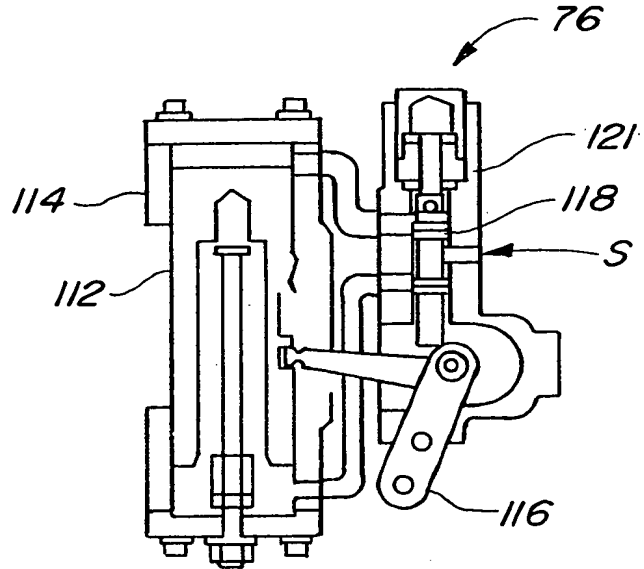


Fig. 3

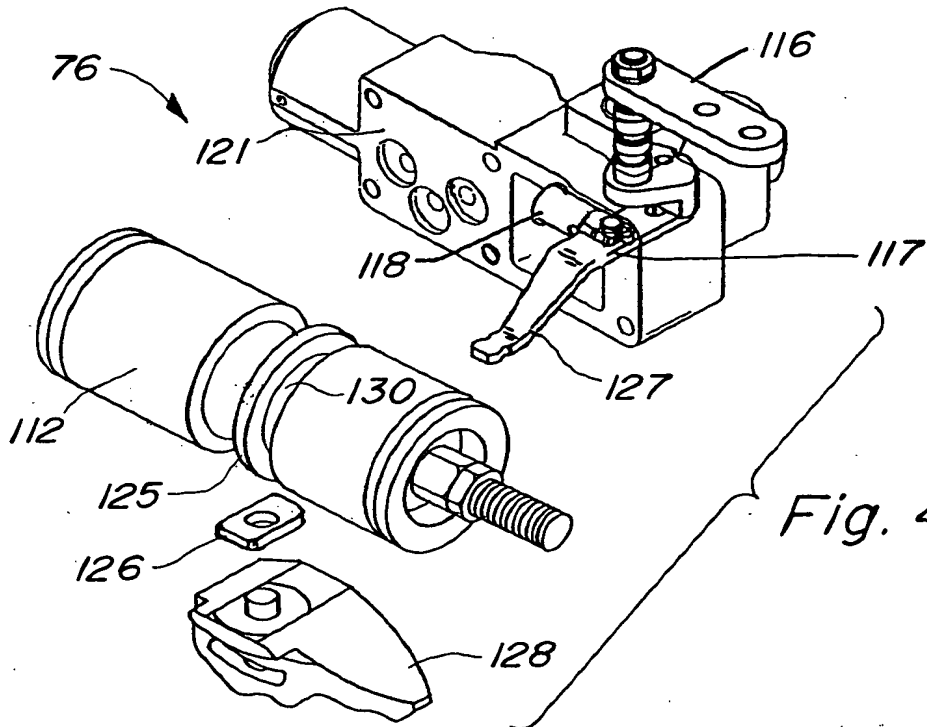


Fig. 4

4/13

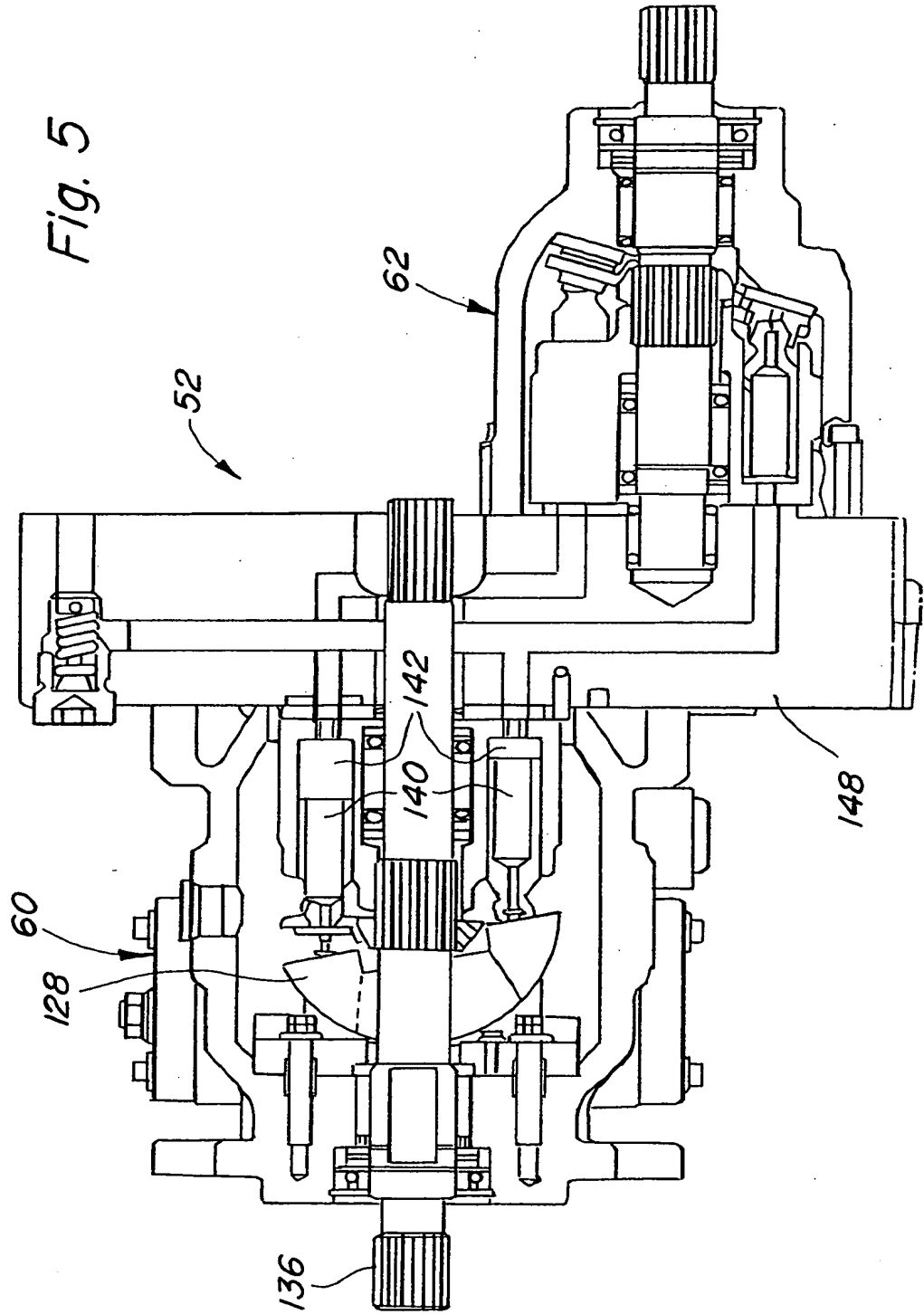
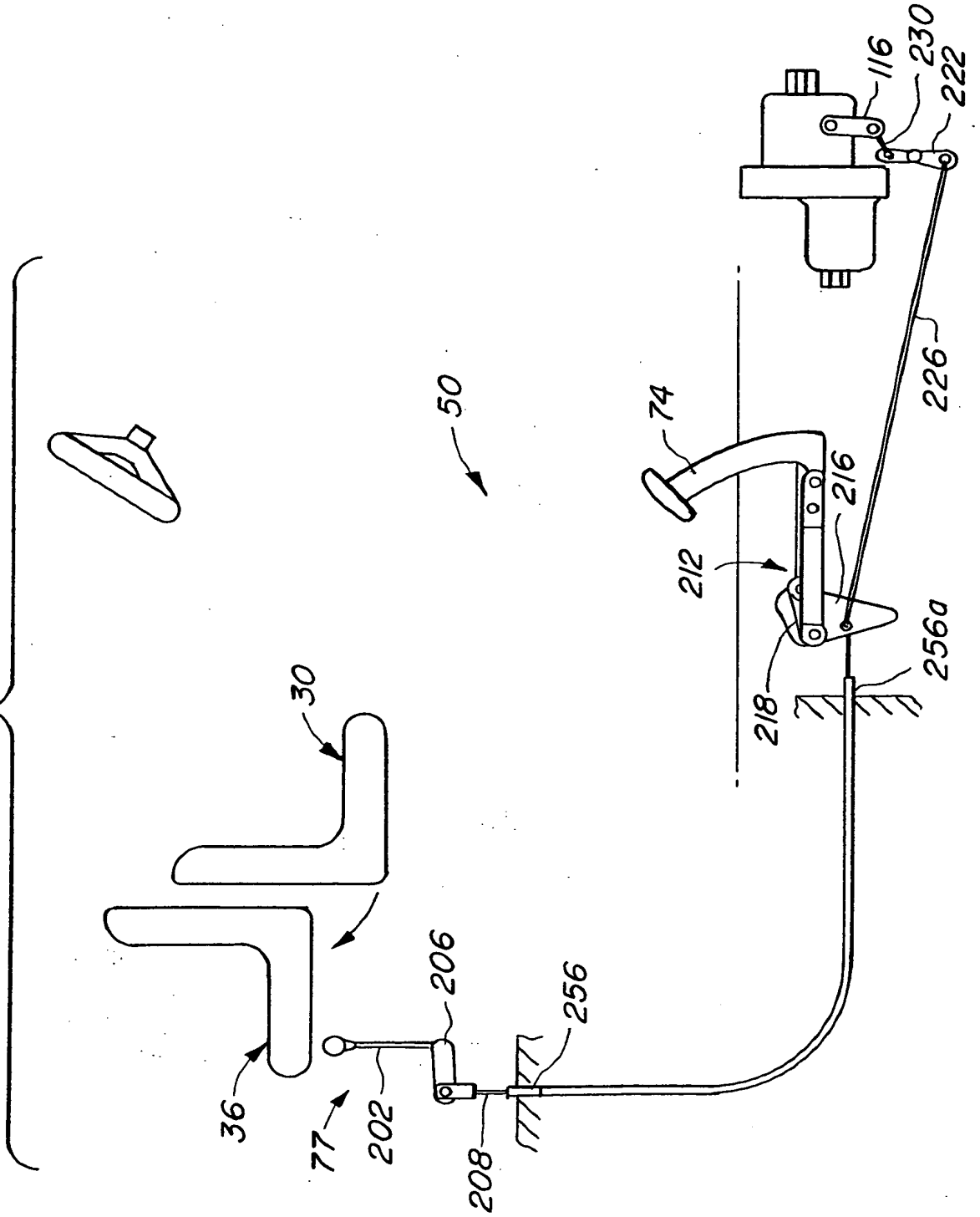
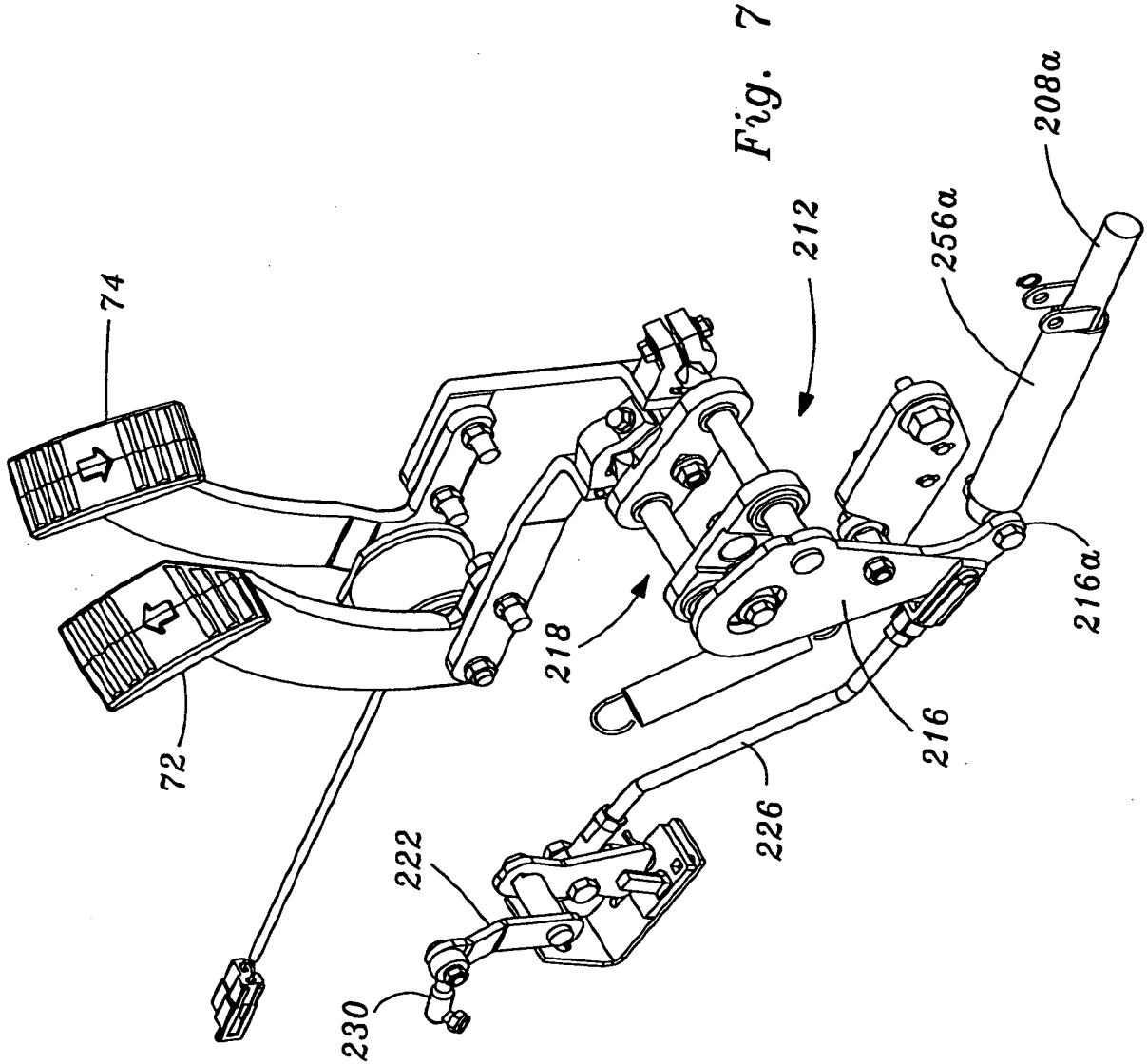


Fig. 6



6/13



7/13

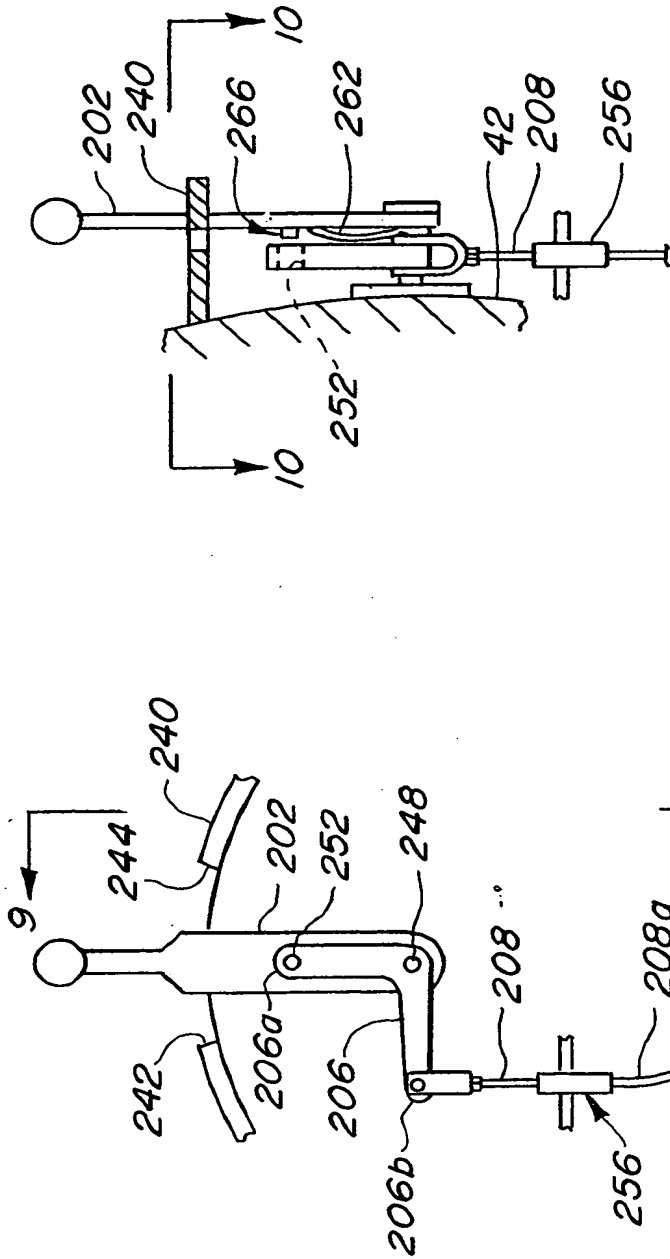


Fig. 9

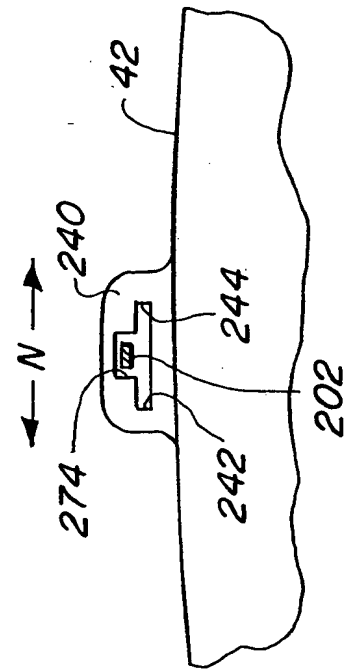


Fig. 10

8/13

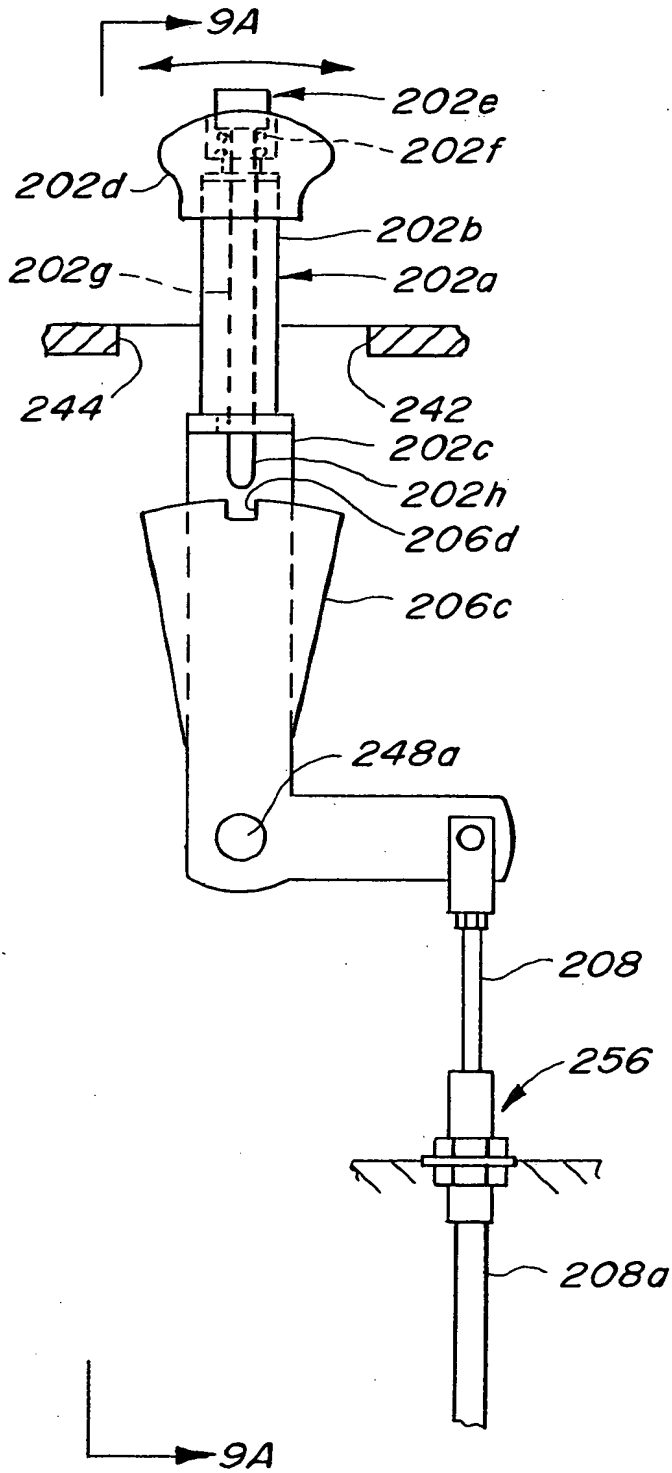


Fig. 8A

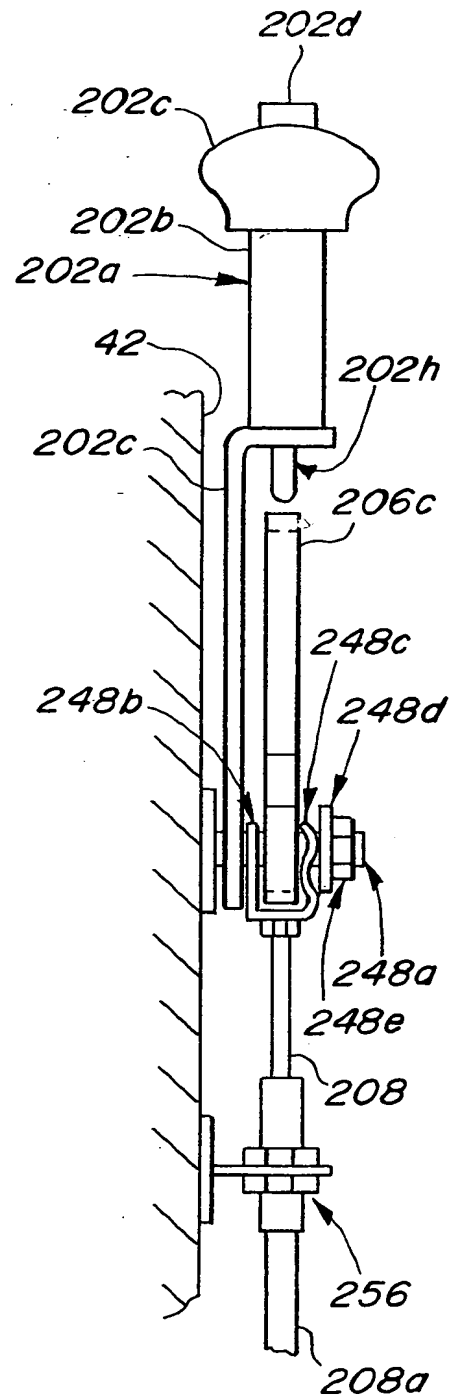
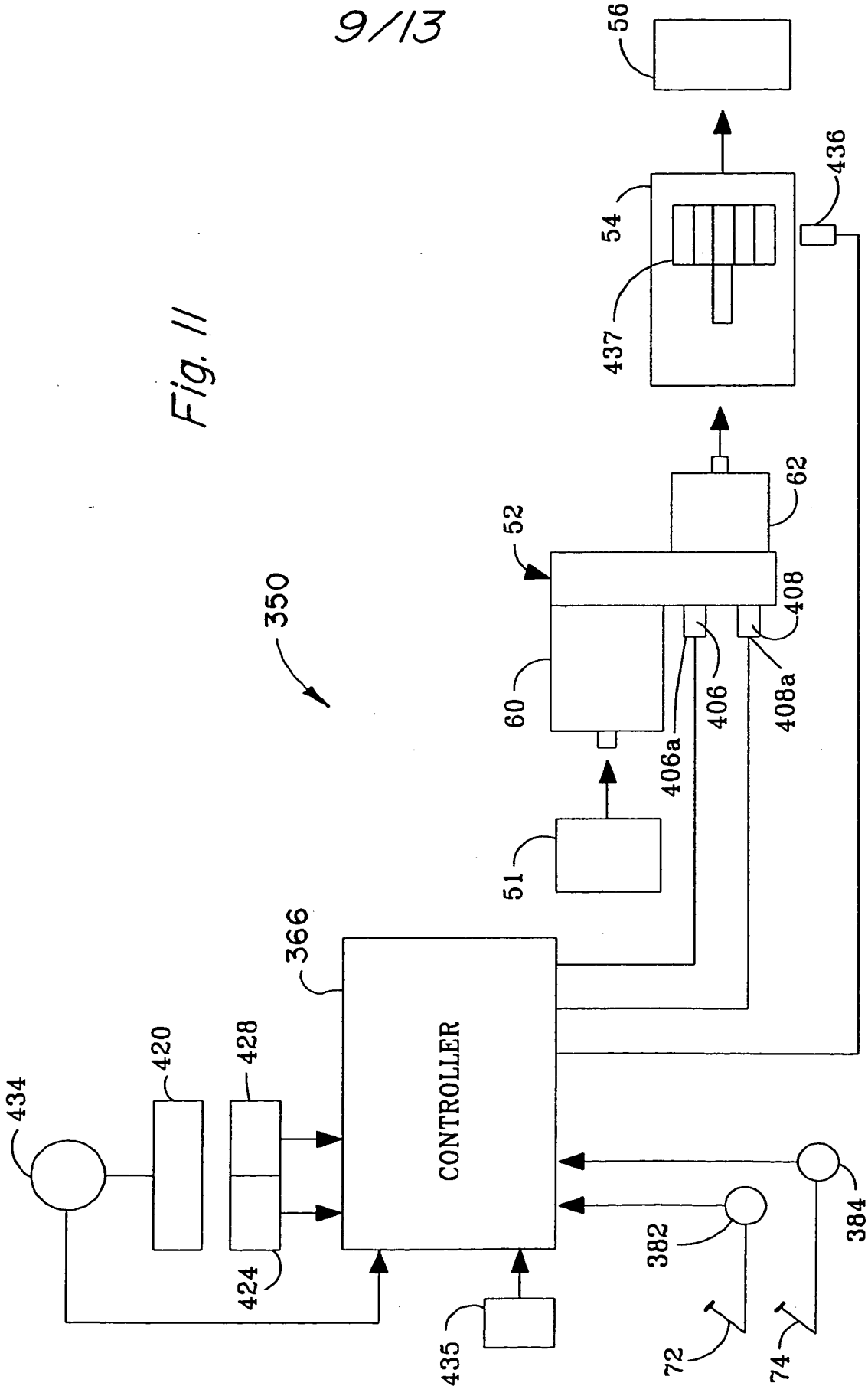


Fig. 9A

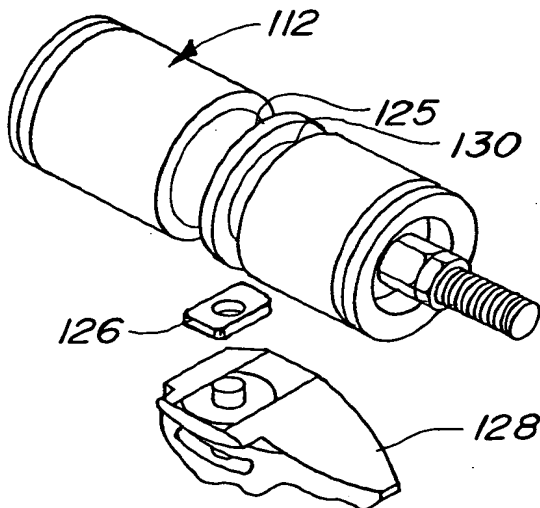
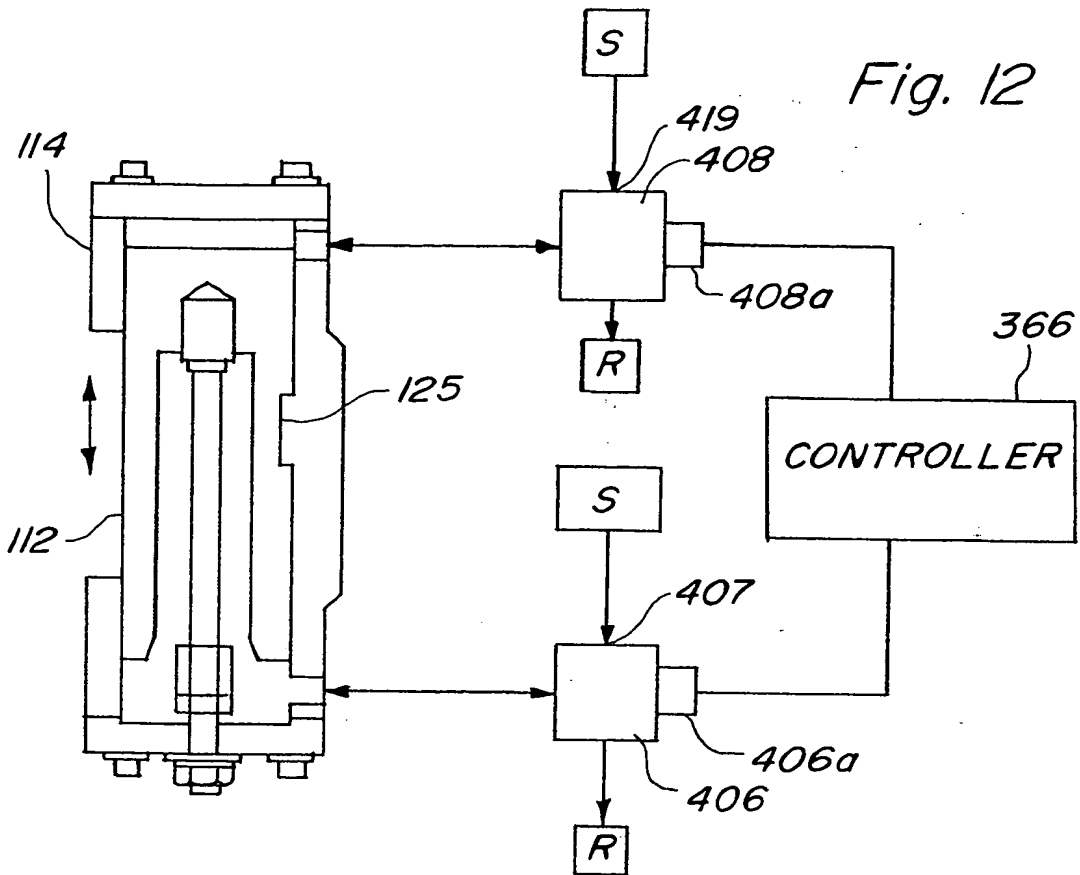


9/13

Fig. 11



10/13



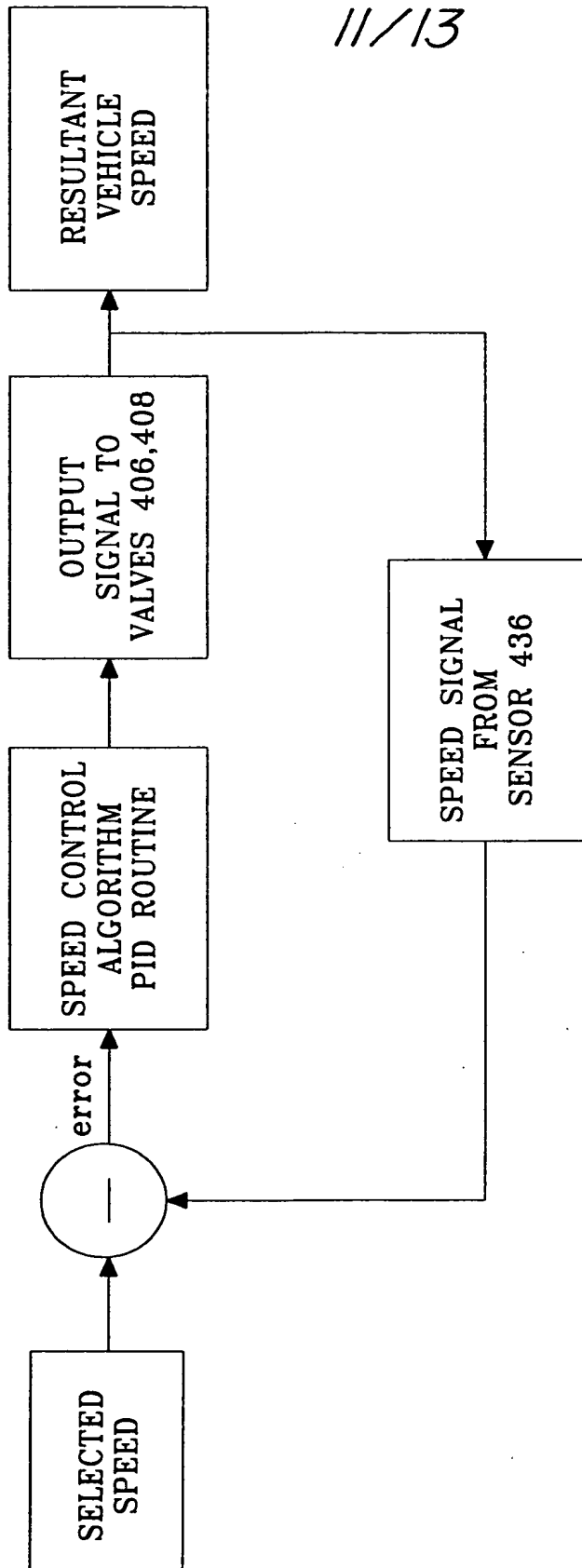
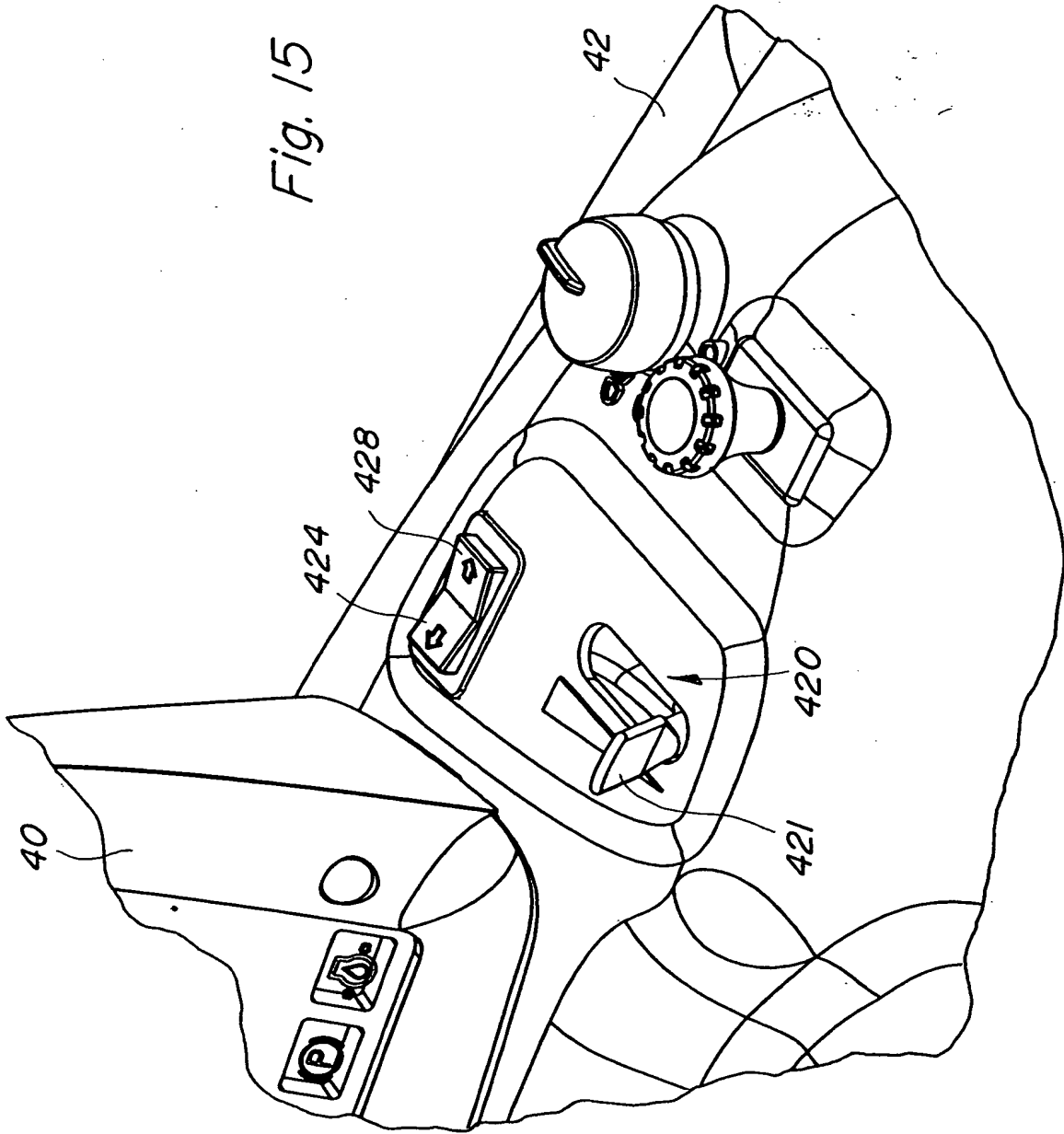


Fig. 14

12/13

Fig. 15



13/13

Fig. 16

